

# Classic Mac Tech Info

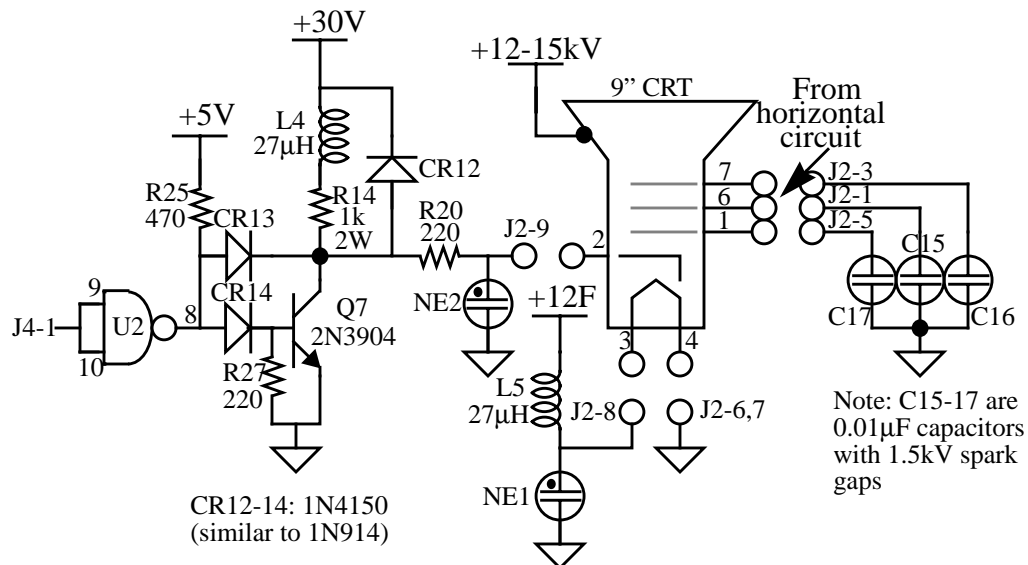
## 1.0 Introduction

Except for minor variations, the analog board for the Mac Plus described in this document is the same as that used in earlier models (the 128K and 512K/512Ke), and contains the horizontal, vertical, video and power supply circuits. The horizontal and video circuits are also virtually identical to those used in the SE and SE/30, but the vertical and power supply circuits are *completely* different. As will be obvious from the schematics, the vertical circuit in the classic machines makes sparse use of ICs, so it is a bit “partsy.” However, it is a reliable design with no history of unusual problems. The power supply, on the other hand, is notoriously prone to failure, as there is no fan inside the unit (Steve Jobs objected to the noise, and preferred to risk overheating the machine instead).

## 2.0 Video Circuit

The video amplifier is a simple shunt-peaked common-emitter amplifier:

**FIGURE 1. Video amplifier**



IC U2 is a quad open-collector NAND, one gate of which is connected as a simple inverter to present the video signal to Q7 with the proper polarity (a low at J4-1 corresponds to white). Resistor R25 is the NAND gate’s pullup resistor. Diodes CR13 and CR14 form a Baker clamp to prevent saturation of Q7 when driven hard, thereby speeding up response.

Inductor L4 is a shunt peaking element for boosting the high frequency response of the video amplifier. Diode CR12 is a protection device, clamping the collector of Q7 to a max-

imum of a diode drop above 30V, despite inductive kickback from L4, and even if some CRT fault occurs. Resistor R20 limits the current under the latter fault condition.

The two neon bulbs act as voltage clamping devices to prevent serious overvoltages on the filament and cathode terminals of the CRT. Similarly, the 1.5kV spark gaps integral with C15-C17 act to protect the CRT under transient fault conditions.

Finally, inductor L5 provides ac isolation between the CRT and the 12V filament supply.

### 3.0 Horizontal Circuit

The high voltages in this circuit are all byproducts of horizontal deflection. The TTL-level horizontal drive signal from the main logic board is inverted by open-collector NAND U2 (here connected as a simple inverter, with pullup resistor R26). The inverted signal then feeds a small driver transistor Q6, whose output couples to the horizontal output transistor Q3 through isolation transformer T2. Components R12 and C12 are snubbers that dampen voltage spikes appearing across the primary of T2 during turnoff of Q6. Flyback transformer T1 has multiple outputs. Pin 2 drives the horizontal deflection yoke, and C3/CR1 generate a boosted  $V_{CC}$  at pin T1-4. A special tap (with an integral high voltage rectifier) provides the 12-15kV 2nd anode CRT potential. Checking the HV rectifier requires a special tester, because it is actually a series stack of numerous lower-voltage units, and ordinary ohmmeters don't apply enough forward bias to turn it on; you can only test easily for a shorted rectifier in general. Pin 8, through rectifier CR10 and filter capacitor C14, provides +30V for the video amplifier circuitry. Pin 7. T1-7 (through C8) and the high voltage kickback appearing at the collector of Q3 (through CR11) together generate up to +500V for focus at J2-3 and +150-750V for CRT screen grid bias (brightness) at J2-1. The same kickback, through C7, CR9, R13, and C9, generates -25 to -75V CRT G1 bias (the precise value is determined by the front panel contrast control) at connector pin J2-5.

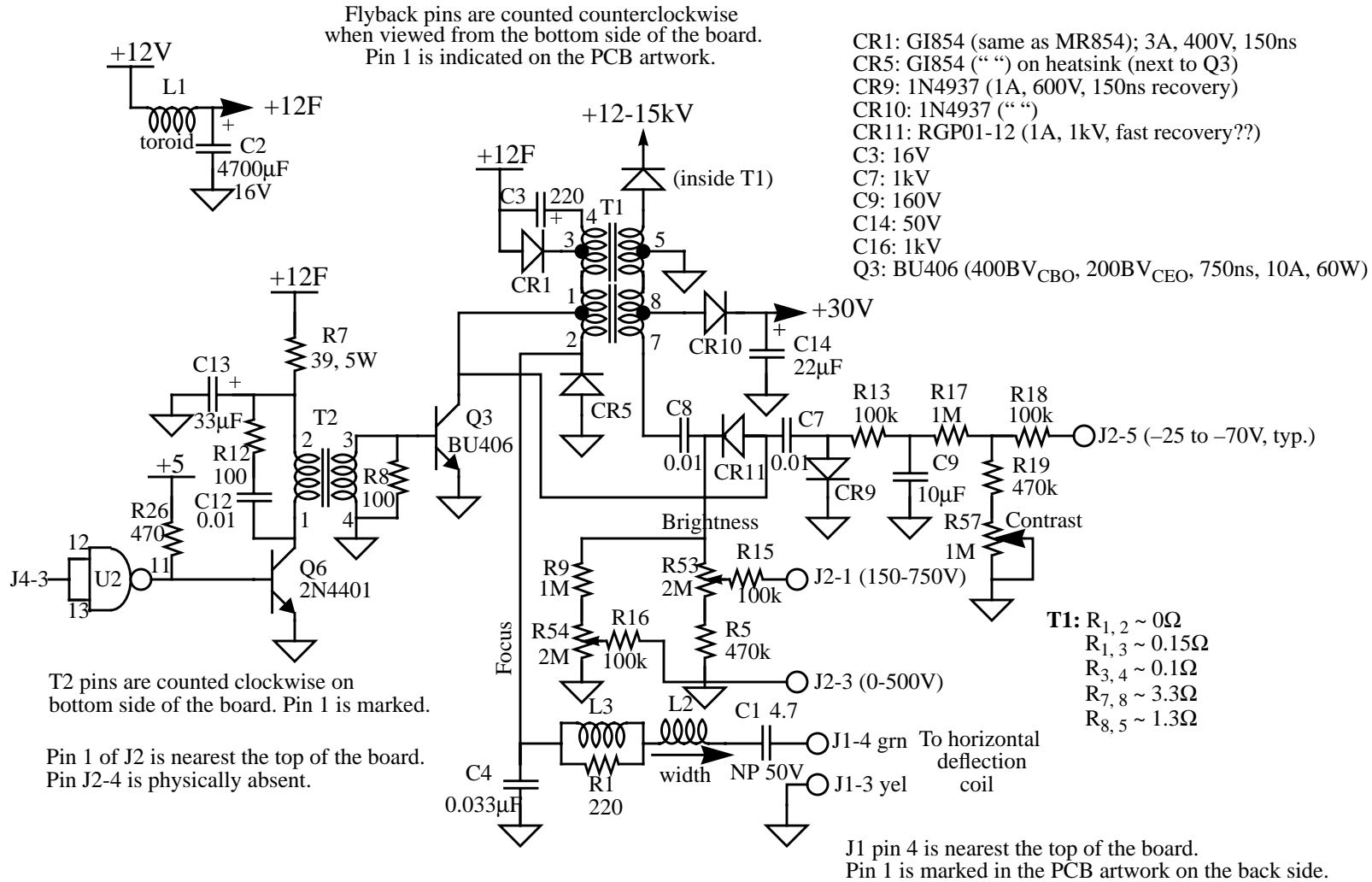
The circuit includes controls for adjusting width, focus, brightness and contrast. The first three controls are board-mounted trimpots that are accessible only once the case is opened. The contrast control is the one accessible to the user at the front panel of the Mac.

Early versions of the analog board used an underdesigned flyback transformer that was somewhat prone to failure (generally with shorted windings). Interestingly, the analog board was designed from day one to accommodate two different transformers, which explains why there are two sets of holes in the PC board for transformer mounting. The smaller diameter ring of holes is for the original, wimpy transformer. Later production units used a beefier transformer that had low failure rates.

Other upgrades to improve reliability include a change in (nonpolar electrolytic) C1 to a 50V or 100V unit (from 35V), and changing 3A rectifiers CR1 and CR5 (GI854, equivalent to Motorola MR854) to 5A units. For the latter, Motorola part number MR824 seems to have been a popular choice.

The schematic for the horizontal circuit is as follows:

FIGURE 2. Horizontal sweep and high voltage circuit



The solder joints on the deflection yoke connector J1 are **notoriously** unreliable. These should *always* be resoldered as a matter of course because a visual inspection does not always reveal problems such as hairline cracks. Flakiness here results in symptoms that include an intermittent raster, no raster, or a single vertical or horizontal line in the center of the CRT. Without question, this is the most common problem with the analog board. Many old Macs are tossed in the trash because of this; I know, because I've fixed many that were retrieved from dumpsters.

The horizontal windings of the yoke have a low DC resistance (~0.2 ohms). You should measure an infinite resistance between the horizontal and vertical windings.

The flyback transformer T1 may be checked out with an ohmmeter for basic functionality. Approximate interwinding resistances are listed on the schematic, and should be used only as a rough guide. Suspect failure only if the values you measure are very different from the ones in the schematic. (When testing, also verify the proper *lack* of continuity between windings that should not be connected.)

Be sure to use a **nonmagnetic, nonconductive** hex tool to adjust L2's core (you can get these at places like Radio Shack, or make them yourself out of chopsticks, toothbrushes, etc., if you're really determined to do everything from scratch). Width increases as the core is withdrawn from the windings, and is a minimum when the core is centered in the windings.

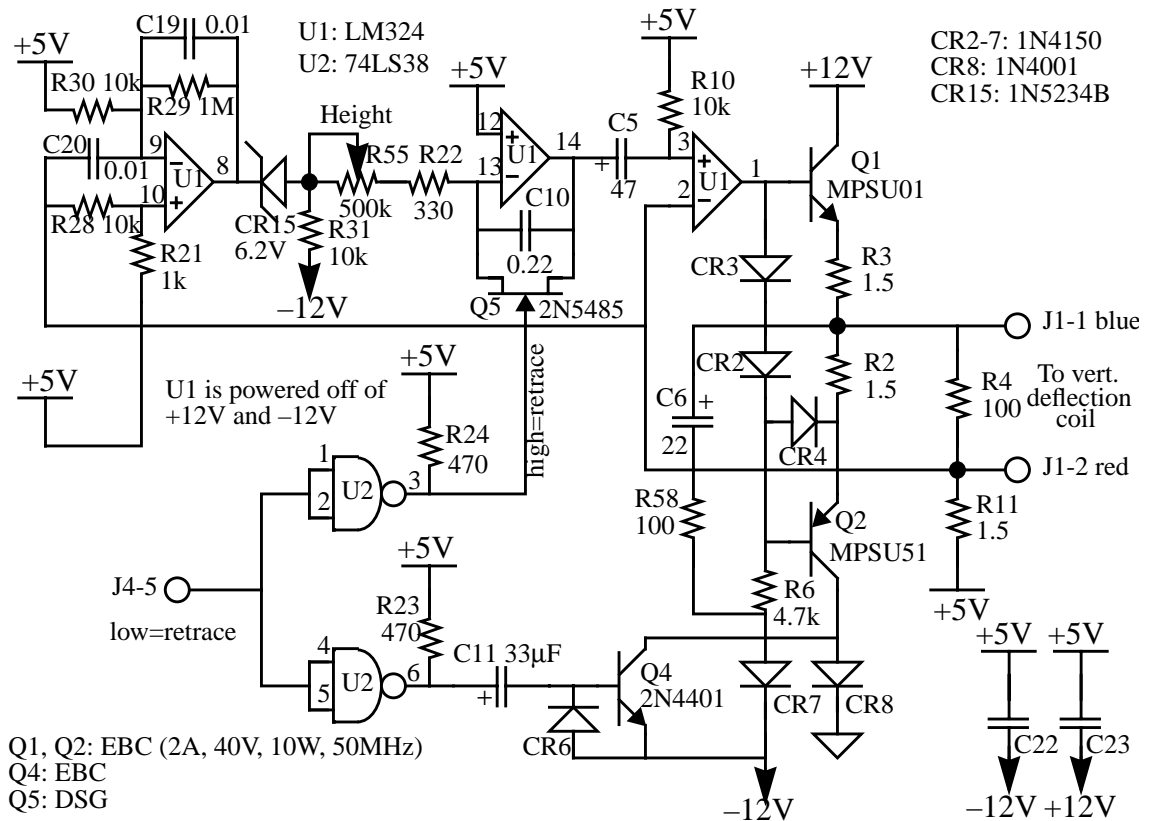
There is no adjustment for horizontal linearity, but it is sensitive to L3 and R1, among other things. Try fiddling with those if you are sufficiently unhappy with the linearity.

Capacitor C1, which does fail fairly often (usually in a visible way -- check for bulging and cracking at its bottom, where it meets the circuit board), is 3.9 $\mu$ F in many versions. Replace it **only** with a **nonpolar**, low loss (**low ESR**) unit rated at 50V or more. This capacitor can be a little difficult to locate on occasion, however, so if you are in a hurry, I've had excellent success substituting a parallel combination of four 1.0 $\mu$ F ceramic disk capacitors (there's plenty of room; build it up as a module of four caps, and use two pieces of bus wire to connect it to the pc board). These are readily available and inherently non-polar, and the parallel combination reduces the overall ESR to lower values than the suggested replacements.

## 4.0 Vertical Circuit

Compact models developed after the Plus use the ever-popular TDA1170 IC for the vertical deflection circuitry, but the classic Macs use an equivalent circuit made out of standard parts and a boxload of discretes:

FIGURE 3. Vertical sweep generator



The asymmetry in the current-handling capabilities of the various power supply voltages leads to somewhat idiosyncratic circuit design here. The vertical yoke is referenced to the +5V supply instead of ground, and the driver circuitry swings above and below this value.

The aim of all magnetic deflection circuits is to cause (to first order) a sawtooth current to flow in the yoke. In this circuit, feedback is used to force this condition. The voltage across R11 is proportional to the current flowing in the yoke, and the voltage at J1-2 is therefore a measure of yoke current, offset simply by 5V. The third op-amp compares this current signal to the sawtooth voltage generated by (resettable) integrator formed by the middle op-amp, and adjusts the base drive of Q1 and Q2 accordingly to maintain equality.

The height is adjusted by varying the RC time constant of the integrator, accomplished here by tweaking trimpot R55.

Resistor R4 is a dummy load that keeps the loop happy even if the yoke is disconnected or otherwise open-circuits.

The incoming vertical sync signal at J4-5 is normally high during sweep. It goes low when the sweep is to reset. The top inverter-connected NAND gate activates integrator reset switch Q5, zeroing out the charge in the integration capacitor C10. This action forces pin 14 of op-amp IC U1 to go to 5V. After the switch is opened, the integrator ramps linearly up from 5V.

The bottom inverter activates Q4, effectively increasing the negative rail for the output buffers to  $-12\text{V}$  from ground for a brief interval.

The vertical deflection yoke measures about 8 ohms or thereabouts at DC, and should show no continuity to the horizontal deflection windings. As with other such measurements, only gross departures from the nominal DC values should be considered cause for suspicion.

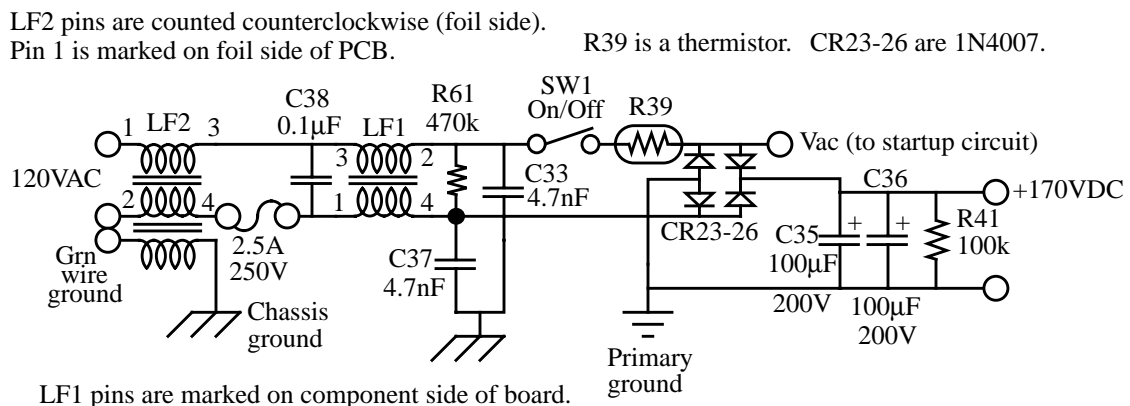
## 5.0 Power Supply Circuit

Another Achilles heel of the classic Macs is the switching power supply, specified to provide a maximum output of something like 60-65 watts. Unfortunately, the original designer underestimated the special demands that switchers place on components (such as filter capacitors and rectifiers), especially when there is no fan to keep things cool. As a result, the unit is underdesigned and prone to failure.

The power supply may be decomposed into two main modules. One simply takes in 120VAC and produces a raw,  $+170\text{V}$  unregulated source. The second converts this high voltage into three regulated DC outputs:  $+5$ ,  $+12$  and  $-12\text{V}$ . Only the  $+12\text{V}$  output is actually regulated directly; the rest are slaved to the  $+12\text{V}$  output through transformer turns ratios. A linear regulator IC on the motherboard produces a  $-5\text{V}$  output from the  $-12\text{V}$  produced by the main power supply.

The first module takes the signals from all three terminals of the AC power line, and filters them through line filter LF2, which is trifilar wound on a toroid. A fuse and spike-suppressing capacitor C38 protect the unit from gross faults. One more line filter, LF1, with R61, C33 and C37 complete the functions of protection and EMI suppression ahead of the on/off switch. Thermistor R39 limits surge currents through the bridge at powerup. Capacitors C35 and C36 filter the output, and bleed resistor R41 improves safety by discharging the deadly filter capacitors when the computer is turned off. This part of the circuit is very reliable, and has no known pathological failure modes.

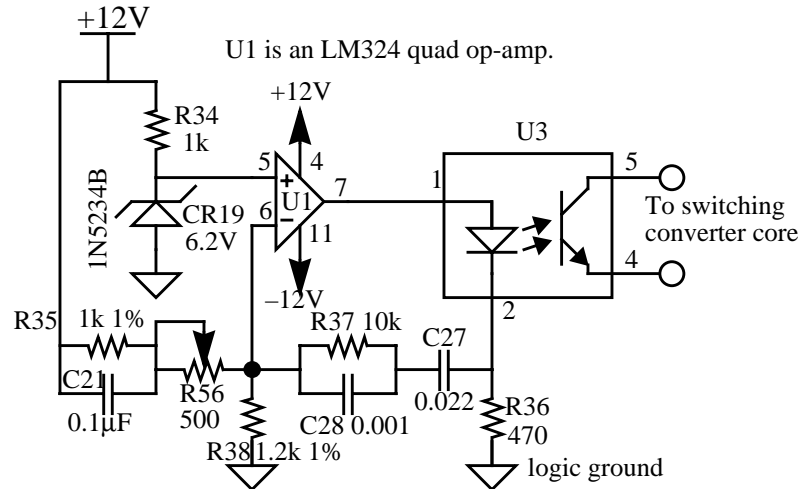
**FIGURE 4. Raw 170VDC power supply**



The switching power supply proper has three different subparts. One is a feedback controller, another is the actual switching converter, and the final is an array of output rectifiers and filters. The latter two subcircuits are where the most frequent failures occur.

First, here's the control circuit:

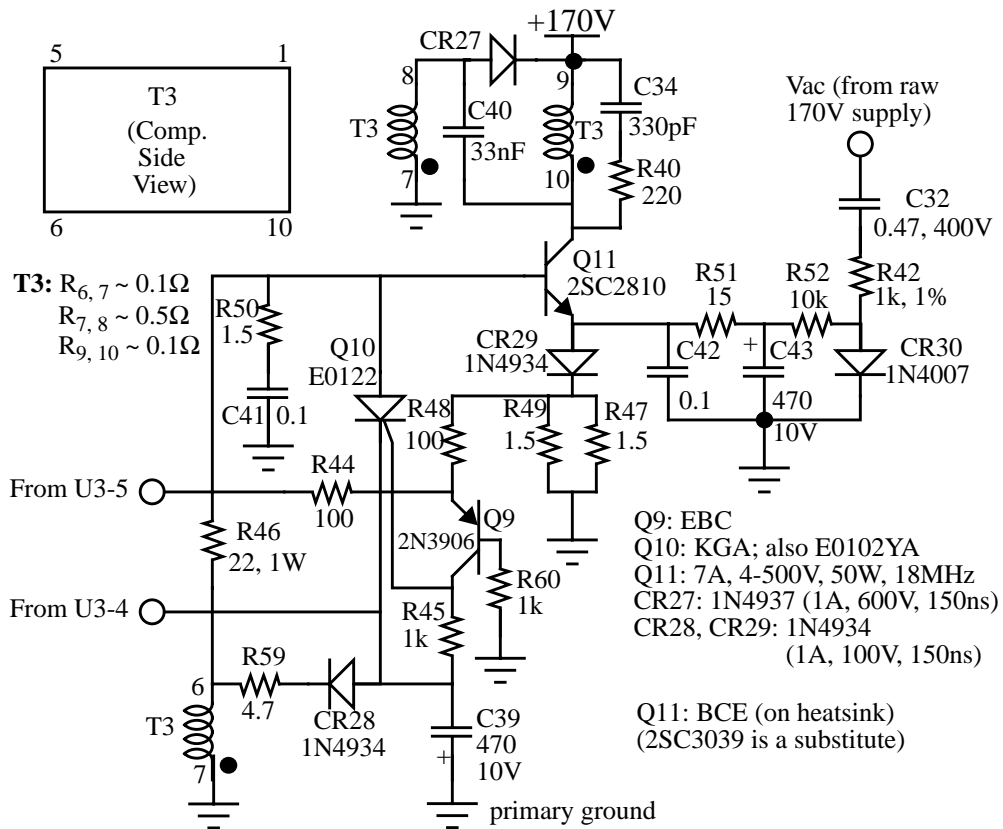
**FIGURE 5. Feedback control circuit**



The feedback control circuit monitors the +12V supply voltage through a voltage divider comprising R35, R56 and R38. This divided-down voltage is compared with a 6.2V zener diode-derived reference voltage (from R34 and CR19). The system tries to maintain equality of the voltages presented to the input terminals of the op-amp by driving the switching converter more or less hard as necessary to maintain a constant output voltage. An optoisolator (U3) couples the control circuitry, which is all referenced to digital ground, to the core switching converter, which is referenced to primary ground. Resistor R56 (located just above the speaker) allows fine adjustment of the output voltage. Stability of the feedback system is assured by C21, R37, C27 and C28, which together constitute a combined lead-lag compensator.

If the +12V supply voltage is too low, the LED inside the optoisolator is driven with less than normal current. This, in turn, reduces the current through the optoisolator's transistor, which ultimately commands the switching core to increase its output. The opposite happens if the supply voltage is too high. This inverse relationship between LED drive current and power supply output can be understood studying the schematic of the switching converter proper:

**FIGURE 6. Switching converter core**



Transistor Q11 acts as a switch. When it turns on, the current through the primary of T3 (pins 9 and 10) starts ramping up, coupling energy to numerous secondary windings (only one of which is shown in this schematic). One secondary winding shown in the figure (T3-6) is connected to the base of Q11 (through R46) with a polarity that provides regenerative (positive) feedback, causing Q11 to latch, and assuring continued charging of the output. As current builds up, the voltage at the top of R47-49 rises, causing more and more current to flow through Q9, and a consequent increase in the voltage drop across R45. Eventually SCR Q10 turns on, shorting the base of Q11 to a negative rail generated by the secondary winding shown (pins 6 and 7), after rectification by CR28 and filtering by C39. The regenerative feedback by T3-6 acts to pull charge rapidly out of the base of Q11, causing a fast turnoff once initiated. This action also recharges C39 at the same time.

Capacitor C40 feeds the collector voltage of Q11 to T3-8, which is coupled to T3-6, closing a feedback loop that produces oscillation with a switching frequency in the low 10's of kHz range.

The voltage regulation loop works by varying the time at which SCR Q10 turns on to shut of Q11. When the 12V supply voltage has reached the correct value, the feedback control circuitry steals less current away from transistor Q9, allowing more current to flow through R45, causing the SCR to turn on sooner. If the 12V supply voltage is too low, turn-on of the SCR is deferred, allowing more charge to transfer to the output to boost the voltage.

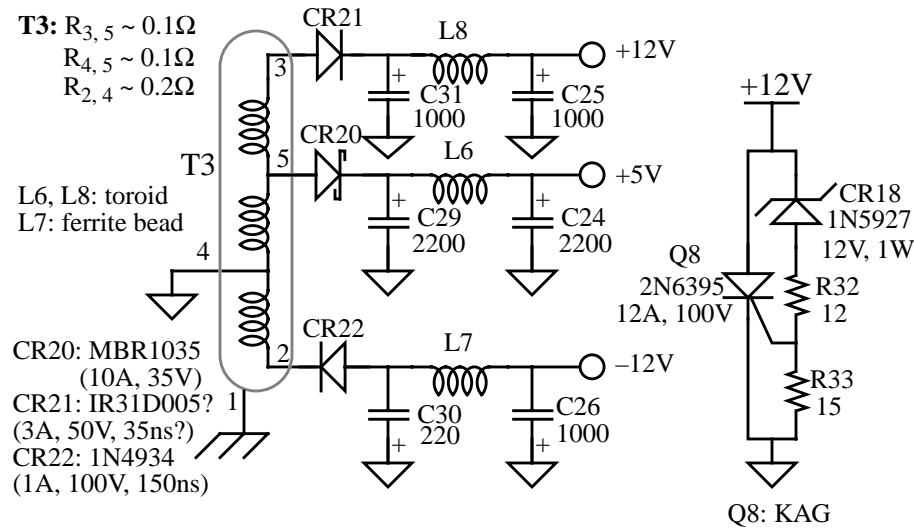


Spikes across the transformer windings are snubbed by series RC networks R40-C34 and R50-C41.

This type of circuit suffers from a “chicken-and-egg” startup problem: if all outputs are zero, they stay zero. To get things going in the first place, some of the raw ac line voltage is coupled into this circuit through C32 and R42. It is rectified by CR30 and filtered by R52, C43, R51 and C42. The resulting modest negative voltage pulls the emitter of Q11 downward enough to turn it on and get things going. Once the switching core has started to operate, Q11’s emitter voltage rises enough to make the startup network irrelevant from that point on.

Three of the five secondary windings of T3 are rectified and filtered to provide the +5V, +12V and -12V outputs, as shown in the following schematic:

**FIGURE 7. Power supply output and crowbar circuitry**



All filter capacitors are rated 16V.  
CR20, CR21 and Q8 are mounted on heatsinks.

All three outputs are filtered with textbook LC “pi” networks. Adjust the voltage trimpot so that the +12V output (as measured at the external floppy connector) lies between 11.9V and 12.75V, and the 5V output lies between 4.85 and 5.15V. Inability to get both the 12V and 5V outputs within spec can be caused by a failure or drift in components, but most often is caused by simple deterioration of connector contacts. Simply cleaning power harness contacts, or resoldering where they connect to the circuit boards, fixes 90+% of such problems.

Weak spots in the power supply design include the rectifiers CR20 and CR21, and the filter capacitors. They run very hot because of the absence of a fan, and this shortens life considerably. Common upgrades are to use Motorola Schottky rectifier MBR1045 (10A, 45V) for CR20 and (ultra)fast recovery rectifier MUR410 (4A, 100V, 35ns) for CR21. Fast recovery rectifier CR22 has no documented history of unusual problems, presumably because the total current pulled from the -12V supply is low.

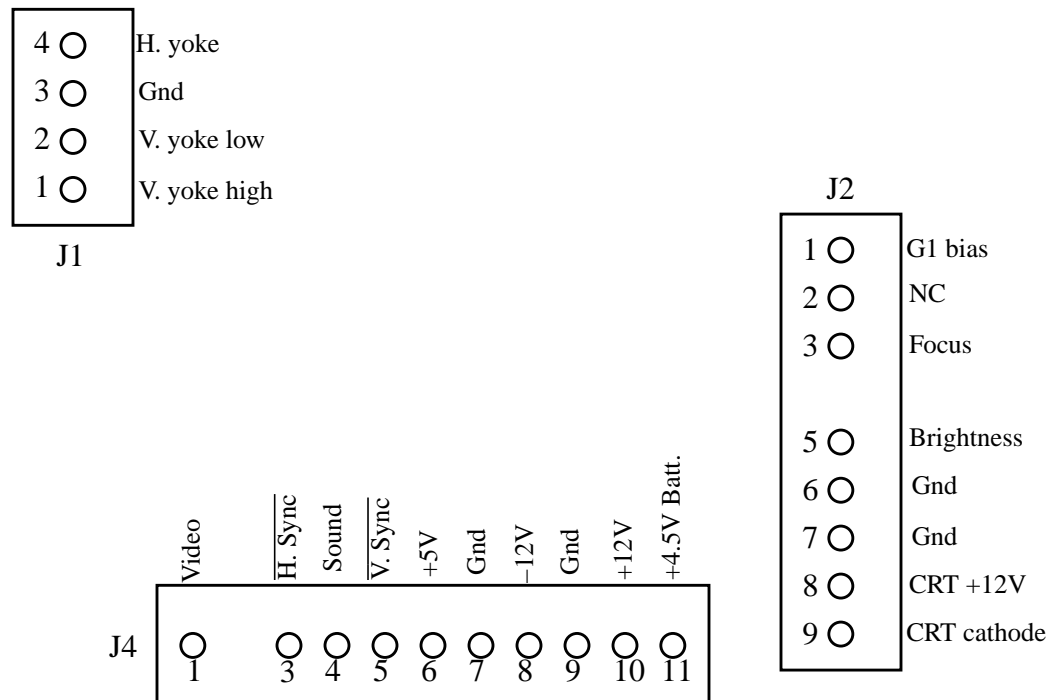
The computer is protected against gross regulation failures that would lead to excessive supply voltages. Twelve ampere crowbar SCR Q8 turns on if there is a dangerous overvoltage (on the order of 15%) on the +12V supply, indicating a regulator failure (or misadjustment of R56). The resulting short circuit shuts everything down. Q8 is a 2N6394 in some versions; the only difference is that it is rated at 50V instead of 100V. Both SCRs will work fine.

After the crowbar has been activated, the power supply periodically tries to recover, emitting a characteristic “whup-whup-whup” sound as long as the overvoltage problem persists. To make sure that the problem is not caused by an improper setting of voltage control R56, turn it to the most *clockwise* position (when viewed from the foil side of the PCB) to minimize the output voltage setpoint. If the “whup-whup” sound is still heard, it indicates a major problem elsewhere.

## 6.0 Connectors

There are three connectors on the analog board. Most of the connections have been documented piecemeal in the previous sections, but it’s handy to have everything in one place for quick reference:

**FIGURE 8. Connectors as viewed from the component side of the analog board**



## 7.0 Appendix: More Random Info

### 7.1 Using PC and Surplus Parts with Classic Macs

Finding parts for Classic Macs can be difficult at times, so it's occasionally useful to know how to adapt components intended for the PC world to fix a Mac.

#### 7.1.1 Monitors

The 9" CRT in the classic Macs is definitely cute, but it is just as definitely small. Several manufacturers once made adapters and monitors that not only expanded the screen's size, but also permitted more text to be displayed at any given time. Unlike those products (which are no longer available), the modification described here only gives you a larger screen, period. It's the electronic equivalent of putting a magnifying lens in front of the existing CRT.

Most older PC monitors are at least 12" in size, and the added area is significant. Unfortunately, they're also often green or amber, and most people find them a little hard on the eyes when used with a Mac. If you can locate a black and white unit (somewhat rare), you'll be a lot happier with the results. You can also interface to a modern color monitor.

Beyond that consideration, there are two technical issues to contend with. One is that the Mac produces horizontal sync and video signals that are logical inverses of what TTL PC monitors expect (the vertical sync signal is just fine, however). The second consideration is that the ~22kHz horizontal sync frequency generated by the Mac is substantially higher than the ~16kHz expected by old PC monitors, so you'll almost certainly have to fiddle with the timing network in the monitor to insure synchronization (this issue usually disappears if you are interfacing to a multisync monitor, but the instructions here don't give the pinouts for that). Inside some monitors, there is a small trimpot to adjust the frequency. In others, you will have to change a resistor. Clearly, such a modification is **only for those with advanced circuit skills**. Schematics of the monitor are a big help, too. In many old monitors, a 555 timer IC is used as the horizontal oscillator. Look for one (there may be two) and, in particular, look for precision 1% resistors (typically there are two of them) and/or a precision capacitor near the 555. These are almost certainly the timing elements. Increasing the frequency by a factor of about 1.38 requires a reduction in RC product of that same factor. The easiest method is probably to place a potentiometer in parallel with the larger of the two precision resistors. Keep the leads absolutely as short as possible to avoid interference from other signals generated nearby; you can fry the deflection circuitry if you do not observe this precaution. Choose a potentiometer whose maximum resistance is about 5x larger than the fixed resistor it is to parallel. That should give you enough adjustment range to get the monitor to lock to the Mac's higher sweep frequency. Set the pot initially to the maximum resistance (and **never** allow the pot to go too low in value, or you will once again risk frying the works; always start the pot in the position of maximum resistance, and work down, taking care not to go too far), and then power up the monitor. Adjust the pot until the display stabilizes. As an additional check, turn the monitor off then on again, and verify that lock is maintained. If not, readjust the pot and repeat the test.

For the necessary signal inversions a cheap 7404 or 74C04 hex inverter IC does fine; just be sure to include a power supply bypass cap, and ground all unused inputs if you use the 'C04 CMOS inverter (an alternative is to connect the extra inverters in parallel with the main ones). The inverted and other motherboard signals should be wired to a female DB-9 as follows:

Motherboard (J4) Signal		DB-9 Pin
1	Video	7 (after inversion)
3	Hsync	8 (after inversion)
5	Vsync	9
7, 9	Gnd	1, 2, 6

### 7.1.2 Mice

Remarkably, **old** PC bus mice turn out to have **all** the same internal workings and output signals as classic Mac mice. All that is needed to convert for use in Macs is to substitute a male DB-9 Mac connector for the DIN-9 PC connector as follows:

DIN Pin (PC)	Function/Signal	DB-9 Pin (Mac)
1	+5V	2
2	XA/left	4
3	XB/right	5
4	YA/up	9
5	YB/down	8
6	left button	(7)
7	mid button	(7)
8	right button	(7)
9	ground	1

Note that any or all of the PC mouse buttons can be used as the single Mac mouse button. I've wired all the buttons together in all the conversions I've done, as shown in the table above, so that clicking any one of them makes something happen.

### 7.1.3 Keyboard vs. telephone cables, and keyboard notes

Extremely important: **Never** substitute a standard telephone cord for the keyboard cable! The Mac deviously reverses the connections on one end, just to assure incompatibility with telephone cables. But the situation is worse than mere incompatibility: If you make the mistake of using a standard telephone cable, you will apply power to the keyboard in reverse polarity, virtually assuring the destruction of either the keyboard or the Mac (or both)!

You can modify a standard telephone cable for Mac use by cutting off the connector on **one** end, and replacing it with a new RJ-11 connector in reverse order.

Keyboards from any classic Mac can be used on any other classic Mac, contrary to the assertions of some. I've tested this personally with all models of classic Macs.

PC keyboards are completely incompatible with Mac keyboards (both the keycodes and hardware interfaces are totally different). There is no practical way to modify them for Mac use, so just abandon this idea altogether.

#### 7.1.4 Floppy Drives

PC floppy drives are so different from those of the Mac that there is no practical way to convert them into Mac drives. Both the format of data storage on the disk, as well as the nature of the interface, are completely different. In particular, Mac drives have more “smarts” built into them, containing much of the circuitry found on floppy controller cards for PCs. Also, classic Mac drives vary their rotational speed (spinning faster when accessing data on the outer tracks, in order to maintain a roughly constant linear data density), but PC drives run at a fixed speed and have no means for varying it. So, just give up the idea of converting a PC floppy drive for Mac use, especially since inexpensive used Mac drives are now readily available on the surplus market. This difference also explains why you can never read 800K disks in a PC floppy drive. Software, no matter how cleverly written, cannot overcome the fundamental hardware incompatibility. The Apple Superdrive (FDHD) is a complex widget that manages to accommodate 800K/1.4M Mac formats, as well as 1.4M PC formats. But standard 1.4M PC floppy drives are much less capable mechanisms, making the transfer of data from old Macs to PCs through 800K floppy disks (“sneaker net”) impossible.

Alas, there does not appear to be any simple way to use Superdrives on classic Macs. Connecting a Superdrive to a classic Mac merely gives you another 800K drive; the extra capability is ignored. A company called Applied Engineering once made a unit called the AEHD+, which did impart 1.4M capability to old Macs such as the Plus and original SE (except that you could not boot from the AEHD+). It accomplished this by integrating a special controller card, working in tandem with special driver software. The AEHD+ is no longer made, and is rare enough not to show up too often even at places like eBay, unfortunately. If you do locate one, make sure that it is the AEHD+, and not just the AEHD. The latter is a plain old 1.4M drive for use with machines that already support such drives. When connected to a Plus, an AEHD will simply behave as an 800k drive.

Contrary to popular belief, an 800K drive can be used on a Mac 512K without first performing a ROM upgrade (or any other hardware modification), as long as the HD20 init is installed. This init (available for free download from Apple's own website, <ftp://ftp.info.apple.com>, as well as numerous other sites) patches the system file to enable the HFS filing system. The Mac 512KE (and the Plus) already has this code in its upgraded ROM. The HD20 init can be downloaded from a number of ftp sites, including Apple's.

Occasionally, you may encounter problems after installing 800K drives in the older models. Cutting pin 20 of the floppy cable often solves many of these problems. The signal on this pin controls the floppy speed in 400K drives. 800K drives do not use this signal, but some revs of 800K drives may be confused by its presence.

If you find that the eject motor of a newly installed 800K drive runs continuously, cut pin 9 of the floppy cable. This pin supplies  $-12V$ , which is used only by 400K drives. Mid-production runs of 800K drives ignored this wire. However, later 800K drives evidently use this pin for some other purpose (perhaps for production test?), and connecting  $-12V$  to it makes those drives misbehave.

### 7.1.5 Floppy drive head connections

Heads rarely go bad electrically (much more commonly, they suffer from various forms of mechanical abuse). But, it's possible. Luckily, testing the heads is pretty easy to do with an ohmmeter. All resistances given in the following are very approximate:

R23: 50 ohms

R24: 25 ohms

R25: 35 ohms

R34: 30 ohms

R35: 40 ohms

R45: 10-15 ohms

Pin 1 is not connected to anything.

Only gross departures from these approximate resistance values (e.g., open circuits) should be interpreted as a problem.

The connector for the bottom head on a dual-head drive (800K/1.4M) has terminals labeled 1-5 going from left to right when viewed with the edge fingers facing you and pointing down. The connector for the top head has terminals arranged as the mirror image of the bottom head's connections.

### 7.1.6 Using 1.4MB floppy disks in 800K drives

Since 800K floppy disks are now considered obsolete, they are less widely available than they used to be. In a pinch, you may use a 1.4MB disk in 800K drives by covering up the media identifier hole (the one without the plastic write-protect slider) with a piece of tape. There's a lot of lore about this operation resulting in unstable data, etc., and it does have a basis in fact: 800K disks require less magnetic force to write, so 1.4MB disks are written with somewhat less than optimum strength. However, the media are close enough in characteristics that this is usually not a real problem *unless the 1.4MB floppy has previously been written on by a 1.4MB drive*. The weaker write fields of 800K drives may not be sufficient to reliably over-write existing data (**including formatting data**). So, use only *virgin* (not just empty) 1.4MB floppies in an 800K drive. If you follow this rule, you'll have few (if any) problems.

## 7.2 How to Upgrade the Mac 512K to 1MB (and beyond?..)

These days, most owners of 128K/512K Macs prefer to keep their Macs in their original condition; in fact, there's even a movement toward restoration of upgraded machines back

to factory-original status, to make them more collectible. This section is not for those folks. This section is for people who insist on making these old Macs more useful, and who don't mind wasting a large amount of time doing it.

Achtung! These instructions assume an understanding of how to remove the motherboard, how not to kill yourself from CRT discharge or implosion/explosion, familiarity with proper ESD protocol and knowledge of circuit prototyping methods. If these are bad assumptions, chances are high that this particular upgrade is not for you. Even if these assumptions are correct, this upgrade is not a trivial one by any means, so it's definitely not for the faint of heart.

If that disclaimer hasn't scared you off, then let's proceed. First, here's a list of the parts you will need:

- 16 150nsec (or faster) 256kb DRAMs (standard DIP package)
- 1 74LS138 demux chip
- 1 16-pin low-profile wire-wrap DIP socket (optional)
- 1 0.1uF ceramic capacitor
- 1 1kilohm, 1/8 or 1/4W resistor
- 4 47-ohm, 1/8 or 1/4W resistors
- 1 small piece of vectorboard or similar (large enough to hold the '138, resistors and capacitor)
- hookup wire (26-30AWG)

These days, 256k RAM chips and 256K RAM SIMMs are obsolete. You should be able to find them at surplus electronics shops for almost zero dollars. I obtained mine for free at an electronics flea market. A future revision of this document will include instructions for how to modify those ubiquitous (and generally free) 256k RAM SIMMs for use in upgrading a Mac512K to 1MB (less wiring!), but the instructions that follow here are assume you have individual DRAM chips.

In what follows, reference is often made to various coordinates, such as "D3" and the like. Labels for these coordinates may be found along the edges of the motherboard.

**Step 1:** Solder the DRAMs onto the existing DRAM chips (located at positions F5-F12 and G5-G12), "piggyback" style, except for pin 15 (CAS\_b) of each added chip; leave those free. Take care to orient all the chips properly! Pin 1 of each chip should point away from the 68000 microprocessor in the center of the board, and toward the nearest edge of the board, the same as the existing memory chips. It is important that the added DRAM chips all have the same access speed, so they should all be 150ns parts, for example, or all 120ns. Mixing speeds can cause erratic behavior. Note that the added chips only have to match each other in speed; they need not match the speed of the original 512k chips. Note also that, since overall memory timing and processor speed are controlled by a crystal oscillator, using DRAMs that are faster than the 150ns recommended value cannot, and will not, speed up the Mac in any way (contrary to what Larry Pina, author of Mac upgrade books, claims).

If the near-irreversibility of soldering chips directly onto other chips concerns you, you may wish to solder low-profile sockets onto the existing DRAMs instead. Just be sure that there's then enough room to slide the motherboard back into the chassis when the added chips are socketed!

**Step 2:** Very carefully bend pin 15 of each of the added chips (or sockets) with a small needlenose so that, from a side view, each pin forms a "U" shape. The idea is to have the pins up in the air a bit so that a wire running horizontally across the array of chips can connect all of the pins 15 together. Just bending a pin from its normal down position into a straight-up position is a bit risky (the pins break off easily from the body of the chip), hence the "U" bend idea. Make sure to bend each pin enough to avoid shorting to pin 15 of the chip underneath.

Now connect all the pins 15 of each row of added DRAMs together, keeping the two rows electrically separate. Leave enough wire in both cases to reach all the way to roughly chip location D3. These will be connected later.

**Step 3:** Locate the TSM chip, positioned at D1. Carefully and cleanly cut the traces leading to pins 12 and 13. One line is on the component side of the board, and the other isn't.

**Step 4:** Prepare the vectorboard as follows: Install the 74LS138 chip, and connect a 0.1uF capacitor across pins 8 and 16, keeping the leads of the capacitor as short as possible. Connect pins 4, 5 and 8 together. Then connect the 1-kilohm resistor from pin 16 to pin 6. Next, connect a 47-ohm resistor in series with each of pins 10, 11, 12 and 13. We will refer to the free ends of those resistors as pins 10R, 11R, 12R and 13R. Then, figure a way to mount this whole assembly securely on the motherboard, keeping in mind that you will eventually be connecting wires to pins 1-3, 10R-13R as well as 8 and 16 (ground and +5V, respectively). The space between location E3 and the 68000 may be a good choice. If you use a low-profile wire-wrap socket, its stiff pins might be useful in providing a stable mounting option.

**Step 5:** Connect pins 2 and 3 of the 'LS138 to pins 12 and 13 of the TSM chip@D1, respectively, with wires that aren't longer than necessary. Then connect pins 11R and 13R to pins 7 and 9 of RP3, respectively. RP3 is a SIP resistor pack positioned next to the DRAM array at around G5. Making connections to RP3 on the component side of the board is very difficult, so it is probably best to route two wires through the PC board via hole conveniently located pretty close to RP3, and make connections on the other side. Try to keep these wires as short as possible as well. Next, connect pin 12R to the common pins 15 of the piggybacked DRAM row nearest the edge of the motherboard. Finally, connect pin 10R to the pins 15 connection of the other added row of memory chips. As before, keep these wires short.

**Step 6:** Connect pin 1 of the 'LS138 to pin 3 of the TSG chip located at D3. Finally, get power to the 'LS138 by connecting its pins 8 and 16 to pins 10 and 20, respectively, of the TSG chip.

**Step 7:** Check your work carefully to make sure there are no solder bridges, and that everything really is wired up correctly. Then reinstall the motherboard and test out the



Mac. Under “About the Finder” in the Apple menu, you should see that the memory has increased to 1MB.

For reference, the “official” signal names for the connections made are as follows:

TSM-12: CASL\_b; TSM-13: CASH\_b  
TSG-3: A19  
‘LS138-10R: CAS1L\_b; ‘LS138-11R: CAS0L\_b  
‘LS138-12R: CAS1H\_b; ‘LS138-13R: CAS0H\_b  
Pin 15 of each DRAM is CAS\_b

Note that expansion to a maximum of 4MB is possible in principle if 32 1Mb chips are used (in which case the original DRAM chips are effectively removed from the circuit), and if the address decoding is modified accordingly. However, 1Mb DIPs have 18 pins and a pinout that differs significantly from that of the 256k generation, so that particular modification is only for the truly hardcore!

### 7.3 Keyboard Repair

Keyboard keys have to withstand considerable abuse. Physical punishment, combined with the occasional spilled soda, can result in flaky behavior, or just plain failure. Fixing the individual keys themselves is actually straightforward; it’s getting the actual key switch out that’s the hard part. Given that difficulty, it might be worth trying a quick fix first: Some people (but not me) have had luck spraying the internal guts of the keys with WD-40 (or similar). I always just end up with a greasy mess. Others have placed the keyboard in a dishwasher! I am not so brave, but if the keyboard otherwise seems a total loss, I guess there’s no harm in trying one last desperate act.

If a quick fix doesn’t solve the problem, you’ll have to do a little more work. First, open up the keyboard and remove the circuit board. Gently pull off keycaps until you have cleared a sea of keys centered around the defective key. You may wish to start from one edge of the keyboard and work your way to the defective key. This may require the removal of lots of keycaps, but it minimizes the risk of damaging them. Keep track of where they go.

Note the four small slots at each corner of the plastic cover of the key switch. Insert a small jeweler’s screwdriver into one of the slots. While prying toward the nearest edge of the switch, use a second screwdriver to pry that edge of the switch up a bit. Do the same operation at each of the four corners of the switch. When the switch is out of the keyboard a decent amount, gently pull it out the rest of the way by the stem that protrudes from the middle. **Warning:** There’s a little spring inside, just waiting to pop out and disappear into thin air, so be prepared for it! It’s *very* easy to lose.

Now that you have the switch proper out and free to work on, examine its contacts. The typical failure mode is that the contacts fatigue a little over time, and stop working reliably (or at all). Bending the contacts (carefully, and with tweezers or something similar) often solves the problem (at least for a good long time). Cleaning the contacts with a product like Cramolin or something similar may be useful in other cases. In any event, be careful not to touch any conductive surfaces with your fingers, however, or the switch contacts

Classic Mac Tech Docs, v1.1: No warranties expressed or implied. Use at your own risk!

will eventually tarnish and fail down the road. Alternatively, replace the key or contacts using parts from an “organ donor” keyboard. You can even use rarely used keys on the same keyboard as organ donors in a pinch.

When finished with the repair, reassemble the key, being careful to replace the spring. Reinstall the keycaps and circuit board, button up the keyboard case, then test. That should do it.

## **8.0 Document Revision History**

Rev 1.0: Initial release, allegedly Acrobat 3.0 compatible

Rev 1.1: Re-distilled to be Acrobat 2.1 compatible; fixed minor font boo-boos.